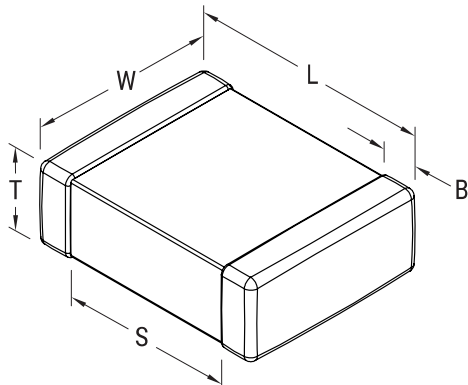


SMD Auto X8R HT150C Flex, Ceramic, 1000 pF, 5%, 50 VDC, X8R, SMD, MLCC, High Temperature, Ultra-Stable, FT-CAP, Automotive Grade, 0805



Dimensions	
Chip Size	0805
L	2mm +/-0.3mm
W	1.25mm +/-0.3mm
T	0.78mm +/-0.20mm
S	0.75mm MIN
B	0.5mm +/-0.25mm

Packaging Specifications	
Packaging:	T&R, 180mm, Plastic Tape
Packaging Quantity:	4000

General Information	
Series:	SMD Auto X8R HT150C Flex
Style:	SMD Chip
Description:	SMD, MLCC, High Temperature, Ultra-Stable, FT-CAP, Automotive Grade
Features:	High Temperature, Ultra-Stable, FT-CAP, Automotive Grade
RoHS:	Yes
Termination:	Flexible Termination
Marking:	No
Qualifications:	AEC-Q200
AEC-Q200:	Yes
Component Weight:	13 mg
Shelf Life:	78 Weeks
MSL:	1

Specifications	
Capacitance:	1000 pF
Measurement Condition:	1 MHz 1.0Vrms
Capacitance Tolerance:	5%
Voltage DC:	50 VDC
Dielectric Withstanding Voltage:	125 VDC
Temperature Range:	-55/+150°C
Temperature Coefficient:	X8R
Capacitance Change with Reference to +25°C and 0 VDC Applied (TCC):	15%, 1MegaHz 1.0Vrms
Dissipation Factor:	2.5% 1 MHz 1.0Vrms
Aging Rate:	0% Loss/Decade Hour: Referee Time is 1000 Hours
Insulation Resistance:	100 GOhms

Statements of suitability for certain applications are based on our knowledge of typical operating conditions for such applications, but are not intended to constitute - and we specifically disclaim - any warranty concerning suitability for a specific customer application or use. This Information is intended for use only by customers who have the requisite experience and capability to determine the correct products for their application. Any technical advice inferred from this Information or otherwise provided by us with reference to the use of our products is given gratis, and we assume no obligation or liability for the advice given or results obtained.