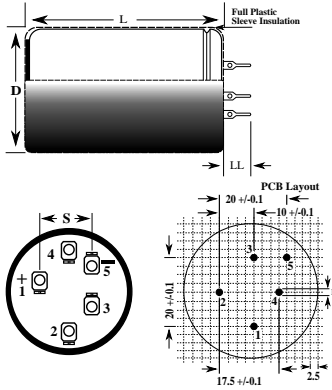


**KEMET Part Number: ALP22A102DF385** Not for New Design  
(A622HW102M385A)

**KEMET**  
a YAGEO company

ALP22, Aluminum Electrolytic, 1,000 uF, 20%, 385 VDC, -40/+85°C



### General Information

<b>Series:</b>	ALP22
<b>Dielectric:</b>	Aluminum Electrolytic
<b>Description:</b>	Solder Pin, Aluminum Electrolytic
<b>Features:</b>	Solder Pin
<b>RoHS:</b>	Yes
<b>Lead:</b>	5 Pin Solder
<b>AEC-Q200:</b>	No
<b>Notes:</b>	Dimensions D And L Include Sleaving

### Dimensions

<b>D</b>	40mm +/-1mm
<b>L</b>	105mm +/-2mm
<b>S</b>	20mm +/-0.1mm
<b>LL</b>	7.5mm +/-0.5mm
<b>F</b>	1.3mm

### Specifications

<b>Capacitance:</b>	1,000 uF
<b>Capacitance Tolerance:</b>	20%
<b>Voltage DC:</b>	385 VDC, 423.5 VDC (Surge)
<b>Temperature Range:</b>	-40/+85°C
<b>Rated Temperature:</b>	85°C
<b>Life:</b>	26000 Hrs
<b>Leakage Current:</b>	2310 uA (5min 20°C)

### Packaging Specifications

<b>Weight:</b>	170 g
<b>Sleaving:</b>	Yes
<b>Packaging:</b>	Bulk, Bag

Statements of suitability for certain applications are based on our knowledge of typical operating conditions for such applications, but are not intended to constitute - and we specifically disclaim - any warranty concerning suitability for a specific customer application or use. This Information is intended for use only by customers who have the requisite experience and capability to determine the correct products for their application. Any technical advice inferred from this Information or otherwise provided by us with reference to the use of our products is given gratis, and we assume no obligation or liability for the advice given or results obtained.

**KEMET**  
a YAGEO company