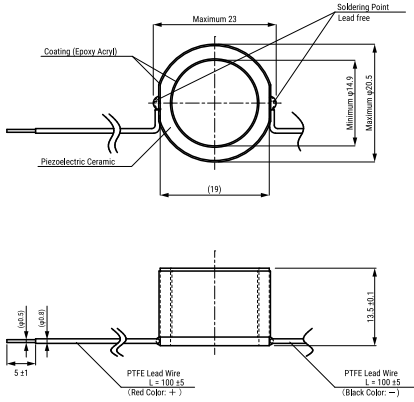


KEMET, AER, Piezo Actuators, Multilayer



Dimensions	
D	20mm +/-0.1mm
W	23mm MAX
H	13.5mm +/-0.1mm
LL	100mm +/-5mm

Packaging Specifications	
Component Weight:	14
Packaging:	Bulk
Packaging Quantity:	1

General Information	
Style:	Resin Coated
Description:	Resin Coated Type Multilayer Piezoelectric Actuators
Young's Modulus:	4.4x10 ¹⁰ N/m ²
RoHS:	Yes
REACH:	Yes

Specifications	
Series:	AER
Displacement:	13.2um +/-2um
Voltage DC:	150 VDC
Capacitance:	5.3 uF
Capacitance Tolerance:	20%
Resonant Frequency:	102 kHz
Tensile Strength:	420 N
Generated Force:	4200 N
Stiffness:	318.2 N/um
Insulation Resistance:	2 MOhms
Temperature Range:	-25/+85°C

Statements of suitability for certain applications are based on our knowledge of typical operating conditions for such applications, but are not intended to constitute - and we specifically disclaim - any warranty concerning suitability for a specific customer application or use. This Information is intended for use only by customers who have the requisite experience and capability to determine the correct products for their application. Any technical advice inferred from this Information or otherwise provided by us with reference to the use of our products is given gratis, and we assume no obligation or liability for the advice given or results obtained.