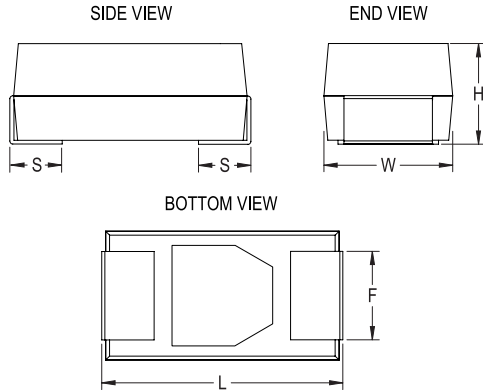


A700, Polymer Aluminum, 100 uF, 20%, 10 VDC, -55/+125°C, Height Max = 4.3mm



Dimensions	
L	7.3mm +/-0.3mm
W	4.3mm +/-0.3mm
H	4mm +/-0.3mm
S	1.3mm +/-0.3mm
F	2.4mm +/-0.1mm

Packaging Specifications	
Weight:	305.03 mg
Packaging:	T&R, 180mm
Packaging Quantity:	500

General Information	
Series:	A700
Dielectric:	Polymer Aluminum
Style:	SMD Chip
Description:	Surface Mount, Polymer Aluminum
RoHS:	Yes
Termination:	Tin
Qualifications:	UL94V-0
AEC-Q200:	No
Halogen Free:	Yes
Notes:	X/7343-43.
Footprint:	7343
Shelf Life:	104 Weeks
MSL:	3

Specifications	
Capacitance:	100 uF
Capacitance Tolerance:	20%
Voltage DC:	10 VDC
Temperature Range:	-55/+125°C
Rated Temperature:	125°C
Dissipation Factor:	6% 120Hz 25C
Resistance:	10 mOhms (100kHz 25C)
Ripple Current:	4700 mA (rms 100kHz)
Leakage Current:	40 uA (5min 25°C)

Statements of suitability for certain applications are based on our knowledge of typical operating conditions for such applications, but are not intended to constitute - and we specifically disclaim - any warranty concerning suitability for a specific customer application or use. This Information is intended for use only by customers who have the requisite experience and capability to determine the correct products for their application. Any technical advice inferred from this Information or otherwise provided by us with reference to the use of our products is given gratis, and we assume no obligation or liability for the advice given or results obtained.